

P7640 Differential Pressure Transmitters



Duct Mount without Display



Duct Mount with Display

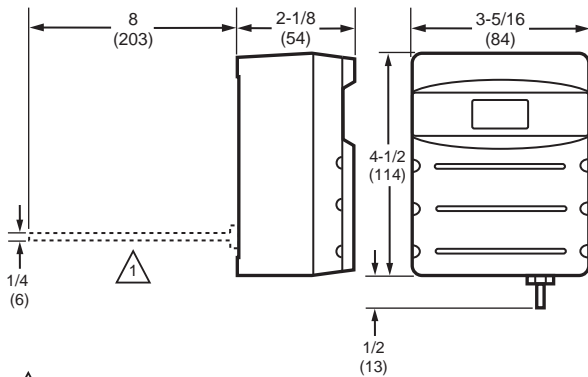


Universal Mount without Display

The P7640 Pressure Sensors are designed with field-selectable 4-20 mA, 0-5 Vdc, or 0-10 Vdc output. The P7640 offers switch selectable pressure ranges between 0-1 in. w.c./0-250 Pa or 0-10 in. w.c./0-2500PA depending on the model. Pressure ranges can be set for either uni-directional or bi-directional.

- The P7640A Panel Mount, P7640B Duct Mount and P7640U Universal Mount Differential Pressure Transmitters provide reliable, accurate measurement and control
- Proper applications include measurement of extremely low pressure applications such as: building/room pressure, air flow, variable air volume, filter status, and duct pressure
- They are ideal for clean rooms, hospitals, fume hoods, and computer rooms
- Selectable inches w.c. or Pascal scale
- Selectable fast or standard response time
- Duct mount model comes with factory installed duct probe
- The Universal model comes with attachable duct probe and can be used in either panel or duct mounting application

Dimensions in inches (millimeters)



M22581

Dimensions, Approximate: 4.5 in. high, 3.313 in. wide, 2.125 in. deep (114 mm high, 84 mm wide, 54 mm deep)

Connection Size: Pneumatic: 1/4 in. Brass Hose Barb, Electrical: Unpluggable screw terminal block

Output: 4-20mA, 0-5Vdc or 0-10Vdc selectable

Temperature Range: 32F to 140F (0C to 60C)

Accuracy: (±1% Full Scale)

Burst Pressure: 5 psi

Proof Pressure: 3 psi

Supply Voltage: 12 to 30 Vdc or 24 Vac

Comments: With autozero calibration by push button or external contact closure

Product Number	Pressure Ranges		Mounting	Display
	(in. wc)	(Pa)		
P7640U1052/U	0-0.1, 0-0.25, 0-0.5, 0-1, 0-2.5, 0-5, or 0-10 inches w.c., uni or bi-directional	0-25, 0-50, 0-100, 0-250, 0-500, 0-1000, 0-2500 Pa uni- or bi-directional	Universal	Yes
P7640U1040/U	0-0.1, 0-0.25, 0-0.5, 0-1, 0-2.5, 0-5, or 0-10 inches w.c., uni or bi-directional	0-25, 0-50, 0-100, 0-250, 0-500, 0-1000, 0-2500 Pa uni- or bi-directional	Universal	No
P7640B1032/U	0-10, 0-5, 0-2.5, or 0-1 inches w.c., uni or bi-directional	0-250, 0-500, 0-1000, 0-2500 Pa uni- or bi-directional	Duct mount, integral 8 in. probe	No
P7640B1024/U	0-10, 0-5, 0-2.5, or 0-1 inches w.c., uni or bi-directional	0-250, 0-500, 0-1000, 0-2500 Pa uni- or bi-directional	Duct mount, integral 8 in. probe	Yes
P7640B1016/U	0-1.0, 0-0.5, 0-0.25, or 0-0.1 inches w.c., uni- or bi-directional	0-25, 0-50, 0-100, 0-250 Pa uni- or bi-directional	Duct mount, integral 8 in. probe	No
P7640B1008/U	0-1.0, 0-0.5, 0-0.25, or 0-0.1 inches w.c., uni- or bi-directional	0-25, 0-50, 0-100, 0-250 Pa uni- or bi-directional	Duct mount, integral 8 in. probe	Yes
P7640A1034/U	0-10, 0-5, 0-2.5, or 0-1 inches w.c., uni or bi-directional	0-250, 0-500, 0-1000, 0-2500 Pa uni- or bi-directional	Panel mount	No
P7640A1026/U	0-10, 0-5, 0-2.5, or 0-1 inches w.c., uni or bi-directional	0-250, 0-500, 0-1000, 0-2500 Pa uni- or bi-directional	Panel mount	Yes
P7640A1018/U	0-1.0, 0-0.5, 0-0.25, or 0-0.1 inches w.c., uni- or bi-directional	0-25, 0-50, 0-100, 0-250 Pa uni- or bi-directional	Panel mount	No
P7640A1000/U	0-1.0, 0-0.5, 0-0.25, or 0-0.1 inches w.c., uni- or bi-directional	0-25, 0-50, 0-100, 0-250 Pa uni- or bi-directional	Panel mount	Yes